

GARDEN MASTER FLOOR PLAN

MODEL*	DIMENSIONS		WOODEN FLOOR			CONCRETE FLOOR		
	External (mm) L x W	Internal (mm) L x W	Runners (mm) Ext L	Flr boards (mm) Int W	Nails 500gm bag	Area m ²	Volume m ³	Clamps Rqd
GM158	1530x785	1485x740	4@780	5@1485	1	1.19	0.12	6
GM238	2280x785	2235x740	6@780	5@2235	1	1.78	0.18	6
GM1511	1530x1080	1485x1035	4@1080	7@1485	1	1.65	0.17	6
GM2311	2280x1080	2235x1035	6@1080	7@2235	1	2.46	0.25	6
GM3011	3030x1080	2985x1035	8@1080	7@2985	1	3.27	0.33	8
GM1515	1530x1530	1485x1485	4@1530	10@1485	1	2.34	0.24	8
GM1815	1830x1530	1785x1485	4@1830	12@1485	1	2.80	0.28	8
GM2315	2280x1530	2235x1485	4@2280	15@1485	1	3.49	0.35	8
GM3015	3030x1530	2985x1485	4@3030	20@1485	1	4.64	0.47	10
GM3815	3770x1530	3720x1485	4@3770	25@1485	2	5.77	0.58	12
GM1818	1830x1830	1785x1785	5@1830	12@1785	1	3.35	0.34	8
GM2318	2280x1830	2235x1785	5@2280	15@1785	1	4.17	0.42	8
GM3018	3030x1830	2985x1785	5@3030	20@1785	2	5.54	0.56	10
GM3818	3770x1830	3720x1785	5@3770	25@1785	2	6.90	0.70	12
GM2323	2280x2280	2235x2235	6@2280	15@2235	2	5.20	0.53	8
GM3023	3030x2280	2985x2235	6@3030	20@2235	2	6.91	0.70	10
GM3823	3770x2280	3720x2235	6@3770	25@2235	2	8.60	0.87	12
GM3030	3030x3030	2985x2985	8@3030	20@2985	2	9.18	0.92	12
GM3830	3770x3030	3720x2985	8@3770	25@2985	2	11.42	1.15	14
GM3838	3770x3770	3720x3720	8@3770	25@3720	3	14.21	1.43	16

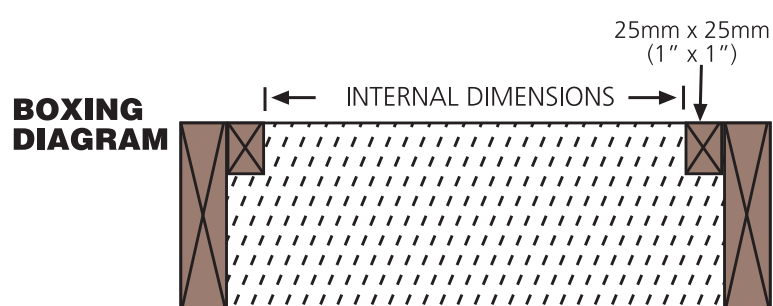
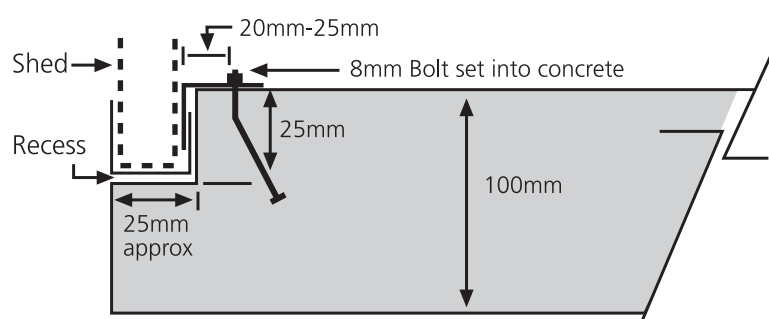
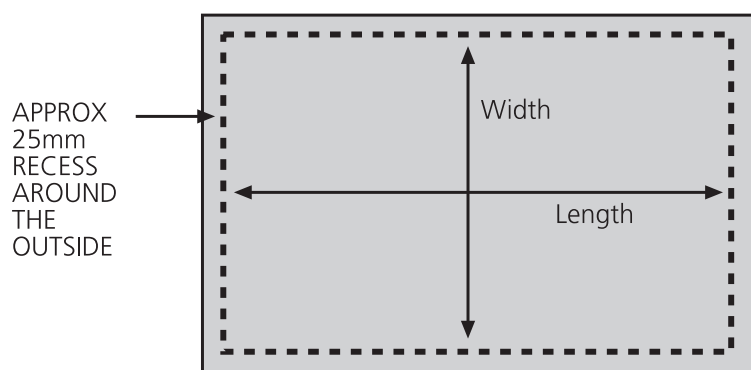
Runners: H4 treated 75 x 50 (or 100 x 100 posts for a heavier floor)

Floor boards: H3 treated 150 x 19 (Fence palings) **Nails:** 60 x 2.8 galv flat head nails

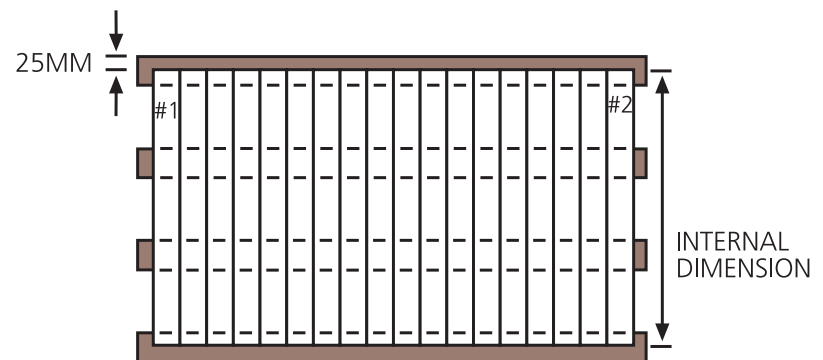
***GMA Models** Bird aviary floor dimensions are 20mm deeper in (W) width.

Concrete floor volume is based on 100mm thick concrete floor. **Clamps** required is for recessed (rebated) floors only. More clamps will be required for flat floors and also in windy areas.

RECESSED CONCRETE FLOOR PLAN

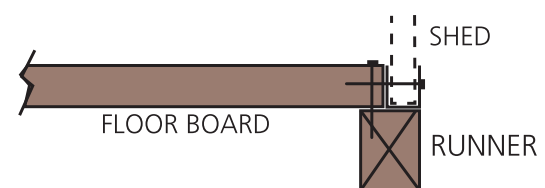


RECESSED TIMBER FLOOR PLAN



ASSEMBLING WOODEN FLOOR

1. Set out runners at external dimension and space centre runners evenly between.
2. Nail on floor boards (#1 & #2 only) at internal dimensions and nail at outside corners only.
3. Square across from corner to corner diagonally and finish nailing boards # 1 & #2.
4. Lay out internal boards, you may have to rip the last one down the centre and nail off using 60mm x 2.8mm galv flathead nails.
5. To fix shed to floor, drill through bottom channel and sheeting at every rib where there is no rivet. Nail through inside lip of channel into floor boards.



PEG FLOOR INTO GROUND IN A WINDY AREA

Note: Garden Master take no responsibility for any variation to the above plans. Garden Master also recommend all sheds have a recessed floor.